

Tommy nuts

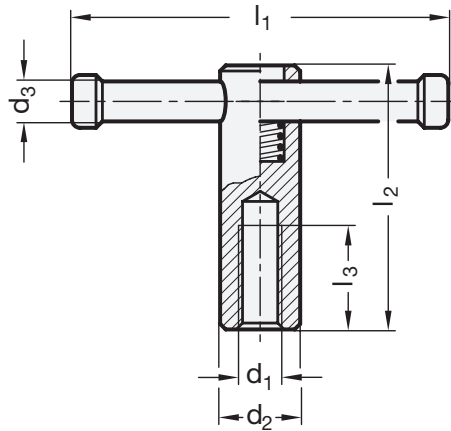
with moveable bar

SPECIFICATION

Steel
Tensile strength class 5
blackened
Bar end caps
Plastic, grey

INFORMATION

The movable bar of the tommy nut DIN 6307 is held in any position by the pressure spring.
The plastic end caps limit the travel distance. They are pressed on with form-lock and may be supplied separately if the parts are to be electro-plated. The official DIN standard sheets provides for steel rings at this point.



DIN 6307

Description	d1	d2	d3	l1	l2	l3 min.	△
DIN 6307-M10	M 10	18	8	80	60	20	110
DIN 6307-M12	M 12	20	10	100	70	25	173
DIN 6307-M16	M 16	24	13	120	85	35	320
DIN 6307-M20	M 20	30	16	140	95	40	568

